

# TECHNICAL DESCRIPTION, FAN N40, 50 HZ

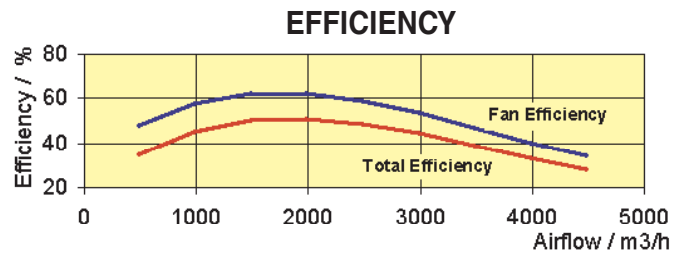
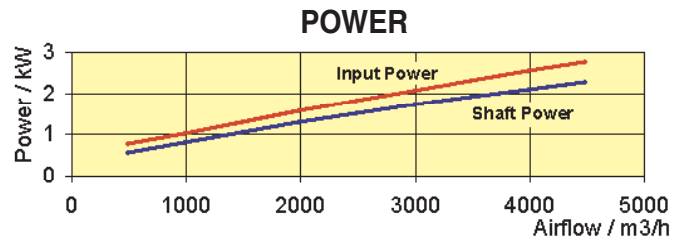
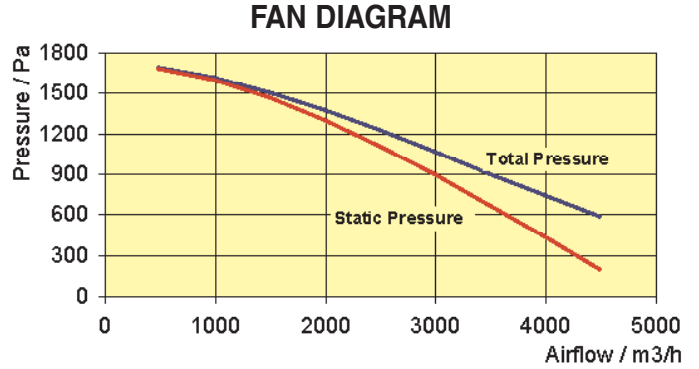
TECHNICAL DATA	
Article no:	14510123
Capacity:	400 - 4000 m <sup>3</sup> /h
Motor power:	2,2 kW
Speed:	2880 rpm
Voltage:	200-240/380-420 V
Phase:	3 ~
Frequency:	50 Hz
Current at market voltage:	7.9/4.56A
Degree of protection:	IP 55
Weight:	29 kg

Komsa N40 is a centrifugal fan designed for use with Komsa extraction products. The fan can also be mounted on a stand which is available as an accessory.



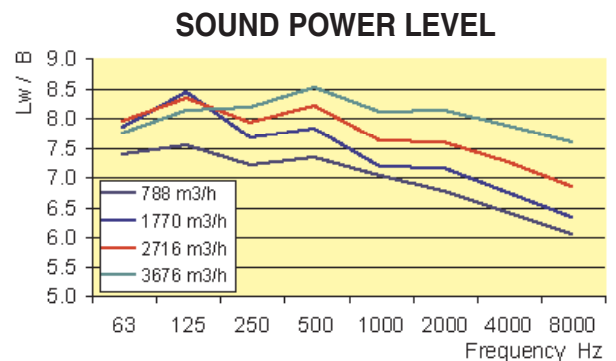
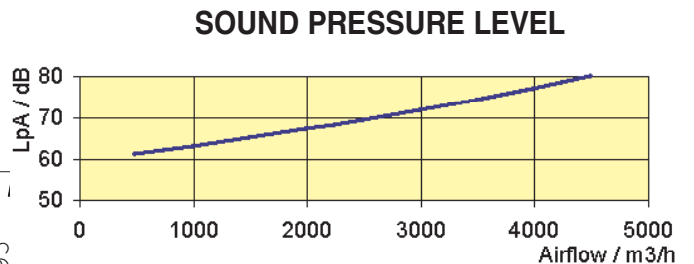
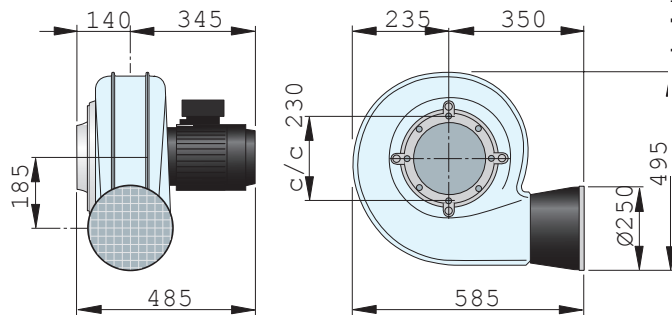
- Working temperature: max. 60 °C
- Ambient temperature: -30°C to +40°C
- Impeller with radial tip blades
- Material:  
Fan casings: sheet metal steel  
Impeller: sheet metal steel
- Surface treatment: epoxy polyester powder paint
- The fan is manufactured in accordance with the following standards or other normative documents: 98/37/EC, 73/23/EEC and 89/336/EEC.

The graphs are according to ducts connected to the inlet and exhaust side of the fan. Air density = 1,2 kg/m<sup>3</sup>



The efficiency concerns the fan without a motor.

## DIMENSIONS



## WARNING!

Risk of fire or explosion! The fan must not be used in an environment with danger of explosion or for transport of inflammable or explosive gases.