

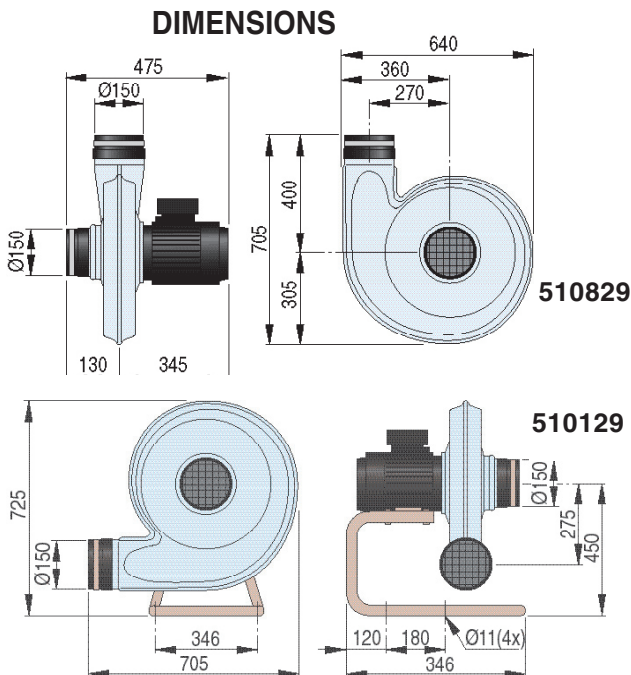
# Technical Description, FAN N29, 50 HZ, 3~, 2,2 kW

TECHNICAL DATA	
Article no:	14510129, with stand 14510829, without stand
Capacity:	Up to 3000 m <sup>3</sup> /h
Motor power:	2,2 kW
Speed:	2880 rpm
Voltage:	220-240/380-420 V
Phase:	3 ~
Frequency:	50 Hz
Current at market voltage:	7.9/4.6 A
Degree of protection:	IP 55
Weight:	32 kg

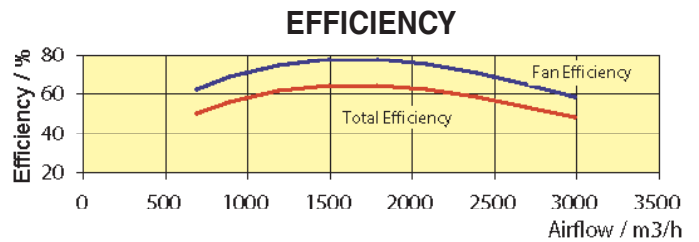
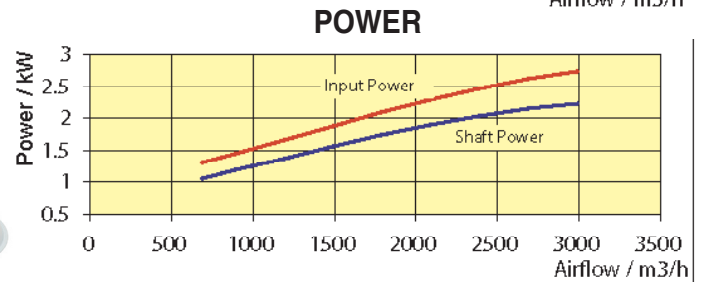
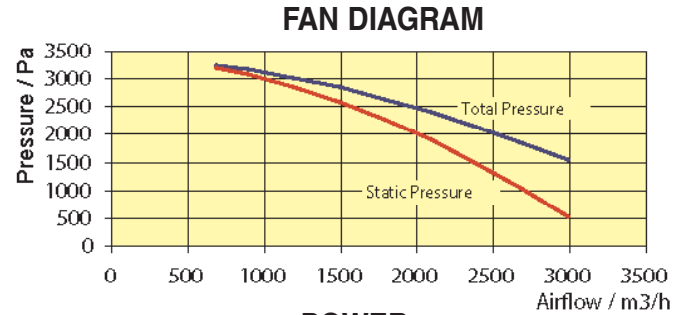
Mqo uc N29 is a centrifugal fan designed for use with Mqo uc extraction products. When equipped with a stand, the fan may be used standing by itself. The fan without a stand is designed to fit on the Mqo uc Filterboxes.



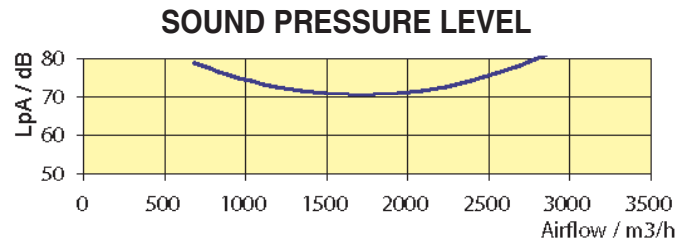
- Working temperature: max. 60 °C
- Ambient temperature: -30°C to +40°C
- Impeller with radial tip blades
- Material:  
Fan casings: Sheet metal steel  
Impeller: Sheet metal steel
- Surface treatment: epoxy polyester powder paint
- The fan is manufactured in accordance with the following standards or other normative documents: 98/37/EC, 2006/95/EC and 2004/108/EC.



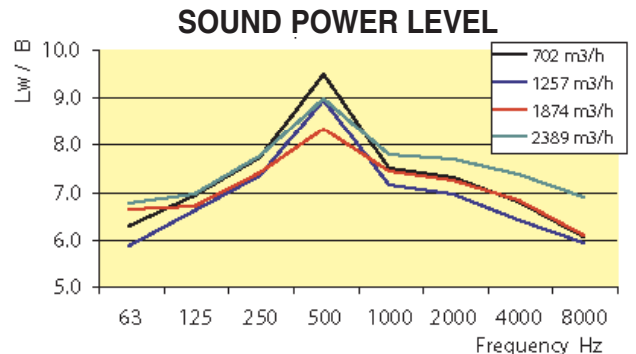
The graphs are according to ducts connected to the inlet and exhaust side of the fan. Air density = 1,2 kg/m<sup>3</sup>



The efficiency concerns the fan without a motor.



According to ISO 11203.  
Tolerance ± 3 dB



According to ISO 3741.  
Tolerance ± 3 dB.

## WARNING!

**Risk of fire or explosion!** The fan must not be used in an environment with danger of explosion or for transport of inflammable or explosive gases.