

Technical Description, FAN N29, 50 Hz, 3~, 1,5 kW

TECHNICAL DATA

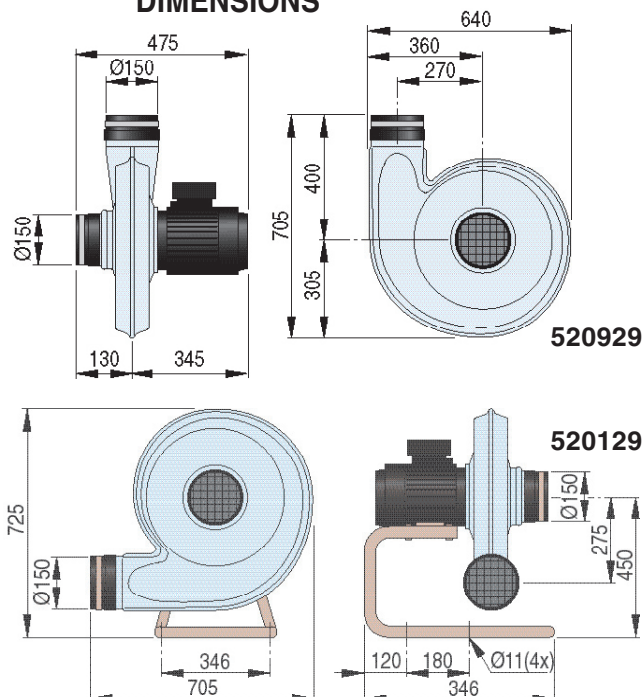
Article no:	14520129, with stand 14520929, without stand
Capacity:	Up to 1500 m³/h
Motor power:	1,5 kW
Speed:	1,5 kW
Voltage:	2860 rpm
Phase:	220-240/380-420 V
Frequency:	3 ~
Current at market voltage:	50 Hz
Degree of protection:	5,7/3,3 A
Weight:	IP 55

Komsa N29 is a centrifugal fan designed for use with Komsa extraction products. When equipped with a stand, the fan may be used standing by itself. The fan without a stand is designed to fit on the Komsa Filterboxes.



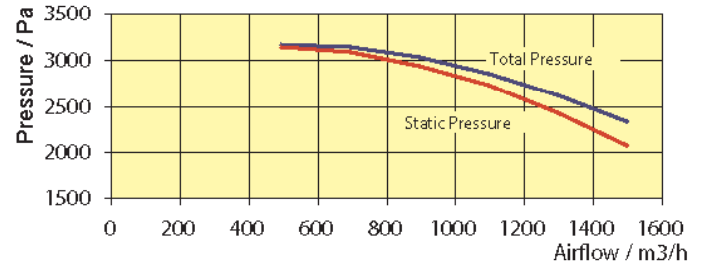
- Working temperature: max. 60 °C
- Ambient temperature: -30°C to +40°C
- Impeller with radial tip blades
- Material:
Fan casings: galvanised sheet steel
Impeller: sheet metal steel
- Surface treatment: epoxypolyester powder paint
- The fan is manufactured in accordance with the following standards or other normative documents: 98/37/EC, 2006/95/EC and 2004/108/EC.

DIMENSIONS

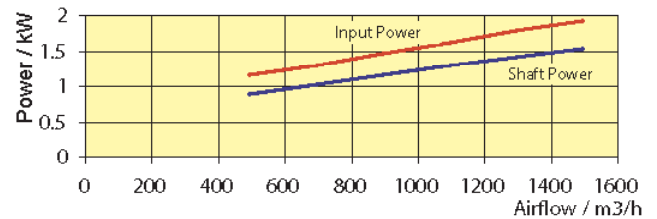


The graphs are according to ducts connected to the inlet and exhaust side of the fan. Air density = 1,2 kg/m³

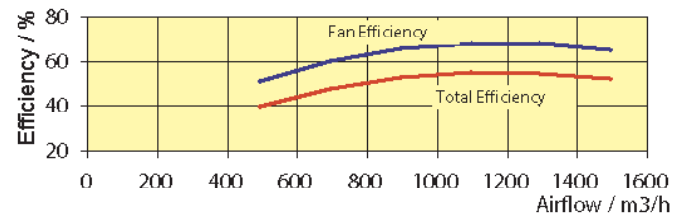
FAN DIAGRAM



POWER

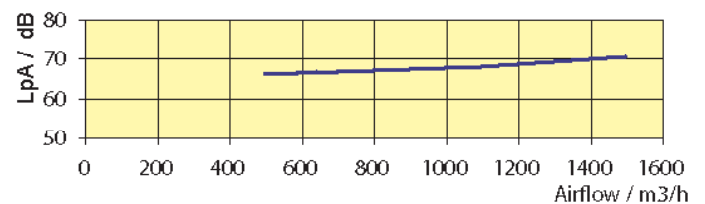


EFFICIENCY



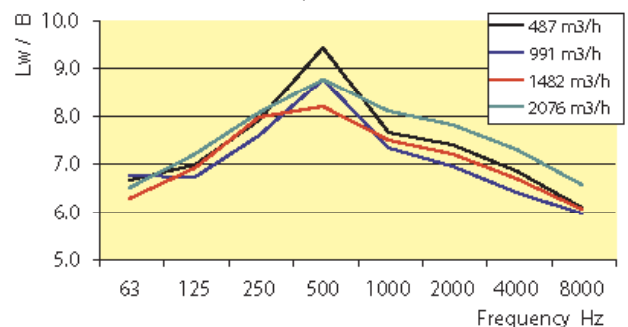
The efficiency concerns the fan without a motor.

SOUND PRESSURE LEVEL



According to ISO 11203.
Tolerance ± 3 dB

SOUND POWER LEVEL



According to ISO 3741.
Tolerance ± 3 dB.

WARNING!

Risk of fire or explosion! The fan must not be used in an environment with danger of explosion or for transport of inflammable or explosive gases.