

# FilterBox - Modular extraction and filter system

50 Hz

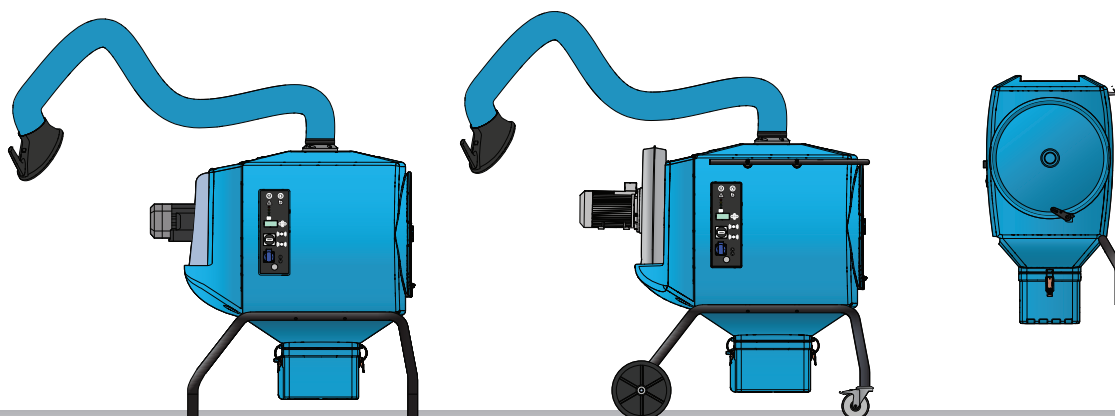


FilterBox is a range of products that solve most dust and fume extraction and filtration problems.

The range spans many models, from basic to highly advanced.

Mobile version on trolley with wheels, or mounted stationary on floor or wall.

A blue range for industrial applications, and a white range for hygienic applications.



# FilterBox Model Finder



## Find your FilterBox for fumes and dust!

	FilterBox Wall	FilterBox 10M	FilterBox 10A	FilterBox 10 eQ	FilterBox 12M	FilterBox 12A	FilterBox 12 eQ	FilterBox Twin
Industrial needs	Light to heavier fumes & dust	Light to medium fumes & dust	Light to medium fumes & dust	Light to medium fumes & dust	Heavier fumes & dust	Heavier fumes & dust	Heavier fumes & dust	Light to medium fumes & dust
Assembly	Wall	Mobile	Mobile/Floor	Mobile	Mobile/Floor	Mobile/Floor	Mobile	Mobile/Floor
Filter cleaning system	Manual/Auto	Manual	Auto	Auto	Manual	Auto	Auto	Manual/Auto
Air volume, m <sup>3</sup> /h	<1300	1000	1000	1000	1200	1200	1200	2 x 850
Main filter type	Cartridge	Cartridge	Cartridge	Cartridge	Cartridge	Cartridge	Cartridge	Cartridge
Main filter surface, m <sup>2</sup>	13	13	13	13	13	13	13	13
Main filter efficiency	99 %*	99 %*	99 %*	99 %*	99 %*	99 %*	99 %*	99 %*
HEPA filter, optional	–	99.95 % (H13)	99.95 % (H13)	99.95 % (H13)	99.95 % (H13)	99.95 % (H13)	99.95 % (H13)	99.95 % (H13)
HEPA filter surface, m <sup>2</sup>	–	10	10	10	10	10	10	10
W3-approval	Yes	Yes	Yes	Yes	Yes	Yes	Yes	Yes
Extraction arm	–	Original	Original	Original	Original	Original	Original	2 x Original
Ergonomic kit & spotlight/fan switch	–	–	–	Yes	–	–	Yes	–

\* average weight filtration efficiency



## Find your FilterBox for hygienic dust!

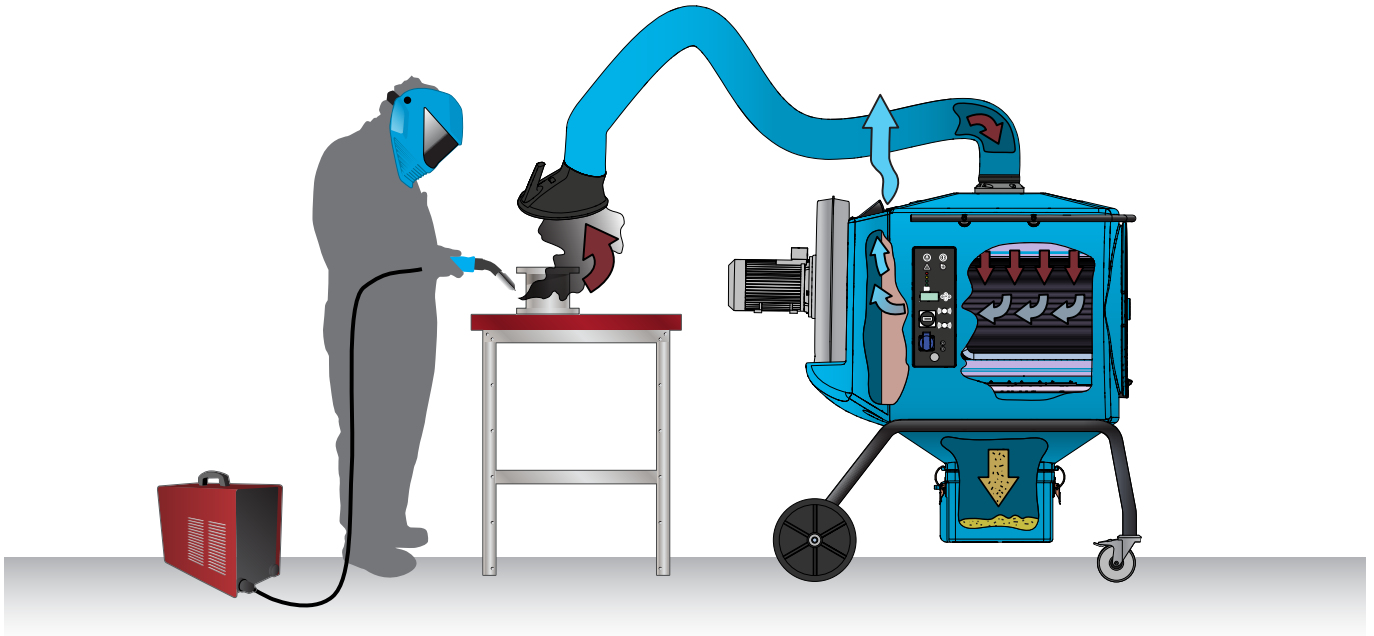
	FilterBox Hygiene Wall	FilterBox Hygiene 10M	FilterBox Hygiene 10A	FilterBox Hygiene 12M	FilterBox Hygiene 12A	FilterBox Hygiene Twin
Industrial needs	Light to medium dust	Light to medium dust	Light to medium dust	Heavier dust	Heavier dust	Light to medium dust
Assembly	Wall	Mobile	Mobile/Floor	Mobile/Floor	Mobile/Floor	Mobile/Floor
Filter cleaning system	Manual/Auto	Manual	Auto	Manual	Auto	Manual/Auto
Air volume, m <sup>3</sup> /h	<1300	1000	1000	1200	1200	2 x 850
Main filter type	Cartridge	Cartridge	Cartridge	Cartridge	Cartridge	Cartridge
Main filter surface, m <sup>2</sup>	13	13	13/15*	13	13/15*	13
Main filter efficiency	99 %*	99 %*	99 %*/ 99.9 %**	99 %*	99 %*/ 99.9 %**	99 %*
HEPA filter, optional	–	99.95 % (H13)	99.95 % (H13)	99.95 % (H13)	99.95 % (H13)	99.95 % (H13)
HEPA filter surface, m <sup>2</sup>	–	10	10	10	10	10
Extraction arm	–	Original CR	Original CR	Original CR	Original CR	2 x Original CR

\* average weight filtration efficiency

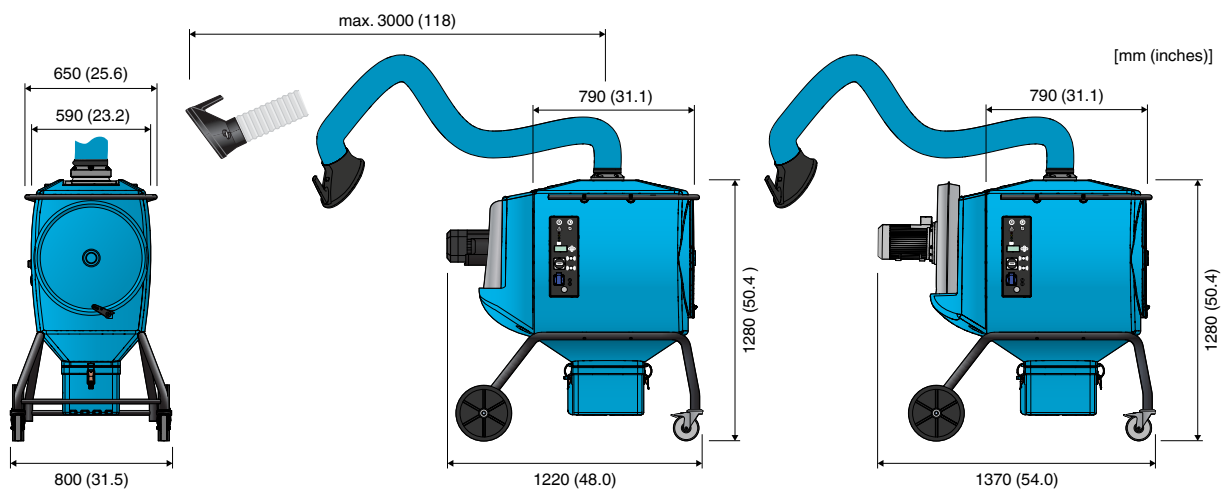
\*\* with High efficiency filter cartridge PWHE15 or Antistatic high efficiency filter cartridge PWAHE15

# FilterBox Technology

## Functionality



## Dimensions



# FilterBox Accessories



	Article number	FilterBox Wall	FilterBox 10M	FilterBox 10A	FilterBox 10 eQ	FilterBox 12M	FilterBox 12A	FilterBox 12 eQ	FilterBox Twin
HEPA filter	12376615	–	X	X	X	X	X	X	X
Spotlight/Fan switch on hood (Original)	10551235	–	–	X	Included	–	X	Included	X*
Fan switch on hood (Original)	10371080	–	–	X	–	–	X	–	X*
Sensor clamp for welding	14372199	X*	–	X	X	–	X	X	X*
Spotlight on hood (Original)	12376616	–	X	X	–	X	X	–	X
Ergonomic handle	12376617	–	X	X	Included	X	X	Included	X
Spark protection (Original)	10551335	–	X	X	X	X	X	X	X
Bags for dust bin	12376618	X	X	X	X	X	X	X	X

*\*for automatic versions*



	Article number	FilterBox Hygiene Wall	FilterBox Hygiene 10M	FilterBox Hygiene 10A	FilterBox Hygiene 12M	FilterBox Hygiene 12A	FilterBox Hygiene Twin
HEPA filter	12376615	–	X	X	X	X	X
Spotlight/Fan switch on hood (Original)	10551235	–	–	X	–	X	X*
Fan switch on hood (Original)	10371080	–	–	X	–	X	X*
Spotlight on hood (Original)	12376616	–	X	X	X	X	X
Ergonomic handle	12376617	–	X	X	X	X	X
Bags for dust bin	12376618	X	X	X	X	X	X

*\*for automatic versions*

# FilterBox Replacement filters

Replacement filters	Used for	Filtration efficiency (%)	Filter surface, m <sup>2</sup> (ft <sup>2</sup> )	Article number
HEPA filter	Higher filtration efficiency	99.95 % (H13)	10 (108)	12376615
Standard filter cartridge PW13	Welding, dust	99	13 (140)	12332672
High efficiency filter cartridge PWHE15	Dust, stainless steel welding	99.9	15 (162)	12371106
Antistatic high efficiency filter cartridge PWAHE15	Dust	99.9	15 (162)	12371412