

FilterBox a parete

50 Hz

A versatile unit without extraction arm for connection to external fan.

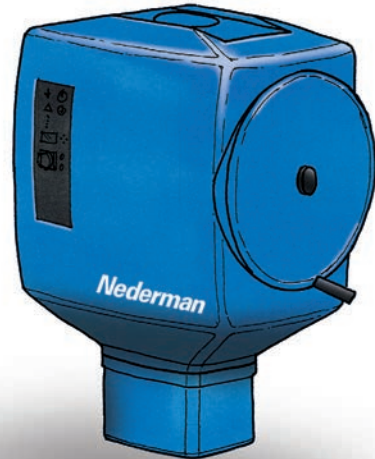
FilterBox Wall is suitable for installations with a central fan and multiple FilterBox units. The unit is delivered with a wall bracket for easy installation.

Depending on the model, the filter cartridge is either manually or automatically cleaned. For the manual model, there is an alarm indicating when the air flow is too low, and an operating hours meter. The model with automatic cleaning has an advanced filter control system that starts the cleaning process automatically when the air flow is too low.

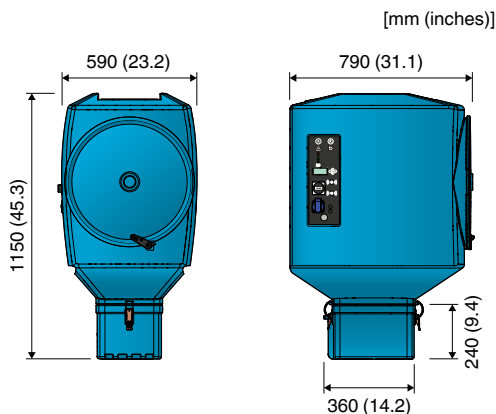
For dust applications, the unit is cleaned mechanically. For welding fumes it uses a combination of mechanical and compressed air cleaning.

Standard features

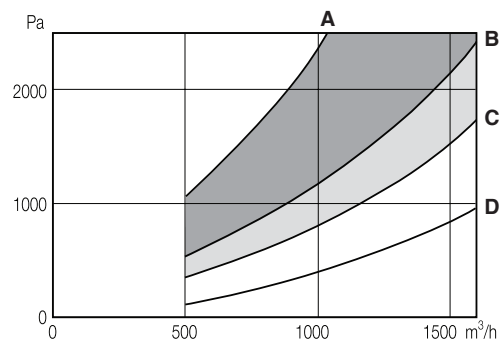
- Dust free emptying of dust bin
- Ergonomic change of filter cartridge
- Polyester filter cartridges with 99% separation efficiency
- Manual version with filter indicator and operating hours meter
- Automatic version with integrated LCD display
- Automatic damper minimizing dust leakage during pneumatic cleaning
- Third party approval for welding fumes, category W3 EN 15012



Dimensions



Pressure drop



The pressure drop across FilterBox varies with air flow and dust load. Maintaining a certain average air flow with increasing dust load requires a shorter interval between cleanings.

- A. Heavy load
- B. Light load, welding
- C. Light load, dust
- D. Clean filter cartridge

Grey areas describe average operating range

Technical Data

Air flow	Up to 1300 m ³ /h (750 CFM)
Fan	-
Filter cartridge	13 m ² PW13, polyester
Filtration efficiency	99 %*
W3 approval	Yes
Weight	54 kg (119 lbs)
Noise level	60 dB(A)

* average weight filtration efficiency

Models

Assembly	Filter cleaning system	Controlbox adapted for:				Filter cleaning method	Article number
		Fan motor power	Voltage (V)	Frequency (Hz)	Phases		
Wall	Manual	0.9 kW (1.2 hp)	230	50	3	Mechanical + pneumatic	12650063
Wall	Manual	2.2 kW (3.0 hp)	230	50	3	Mechanical + pneumatic	12650163
Wall	Manual	0.9 kW (1.2 hp)	400	50	3	Mechanical + pneumatic	12650263
Wall	Manual	2.2 kW (3.0 hp)	400	50	3	Mechanical + pneumatic	12650363
Wall	Automatic	–	230	50/60	1	Mechanical + pneumatic	12682063
Wall	Automatic	–	110	50/60	1	Mechanical + pneumatic	12682163

Accessories

Accessory	Description	Article number
Sensor clamp*	For welding	14372199
Plastic bag	Bags for dust bin	12376618

**for automatic models*

Replacement filters

Replacement filters	Used for	Filtration efficiency (%)	Filter surface, m ² (ft ²)	Article number
Standard filter cartridge PW13	Welding, dust	99	13 (140)	12332672
High efficiency filter cartridge PWHE15	Dust, stainless steel welding	99.9	15 (162)	12371106
Antistatic high efficiency filter cartridge PWAHE15	Dust	99.9	15 (162)	12371412