

# FilterBox Twin

50 Hz

## The economic solution for light to medium applications for two workplaces.

The FilterBox Twin is equipped with two 3 m (10 ft.) extraction arms and a powerful 2.2 kW (3.0 hp) fan for a maximum air flow capacity of  $2 \times 850 \text{ m}^3/\text{h}$  ( $2 \times 500 \text{ CFM}$ ) per extraction arm if both are in use. An integrated silencer reduces noise from the fan and outlet air.

On the manual version, there is an alarm that indicates when the air flow is too low, as well as an operating hours meter. The version with automatic cleaning has an advanced filter control system that starts the cleaning process automatically when the air flow is too low. In both versions, the cleaning method is a combination of mechanical and compressed air cleaning.

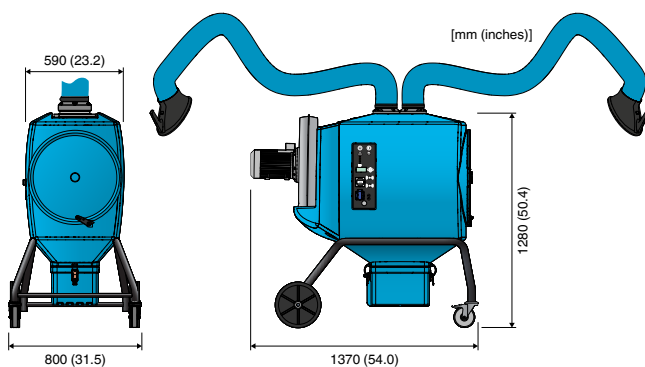
FilterBox Twin is available either as a mobile unit on wheels or attached to a floor stand. Additional protection from harmful particles is provided if a HEPA H13 filter is installed.

### Standard features

- 2 x 3 m (10 ft.) extraction arm Original
- Dust free emptying of dust bin
- Ergonomic change of filter cartridge
- Polyester filter cartridges with 99% separation efficiency
- Silencer
- Manual version with filter indicator and operating hours meter
- Automatic version with integrated LCD display
- Automatic damper minimizing dust leakage during pneumatic cleaning
- 9.5 m (31 ft.) mains cable
- Third party approval for welding fumes, category W3 EN 15012



### Dimensions



### Technical Data

Air flow	Up to $2 \times 850 \text{ m}^3/\text{h}$ ( $2 \times 500 \text{ CFM}$ )
Fan	N29 2.2 kW/3.0 hp
Filter cartridge	13 m <sup>2</sup> PW13, polyester
Filtration efficiency	99 %*
W3 approval	Yes
Weight	132 kg (291 lbs)
Noise level	74 dB(A)
Extraction hose diam.	160 mm (6 1/4 in)

\* average weight filtration efficiency

## Models

Filter cleaning method	Filter cleaning system	Extraction Arm	Fan motor power	Voltage (V)	Frequency (Hz)	Phases	Assembly	
							Mobile	Floor
Mechanical + pneumatic	Manual	Original	2.2 kW (3.0 hp)	230	50	3	12666363	12666463
Mechanical + pneumatic	Manual	Original	2.2 kW (3.0 hp)	400	50	3	12666563	12666663
Mechanical + pneumatic	Automatic	Original	2.2 kW (3.0 hp)	230	50	3	12666963	12667063
Mechanical + pneumatic	Automatic	Original	2.2 kW (3.0 hp)	400	50	3	12667163	12667263

## Accessories

Accessory	Description	Article number
HEPA filter	Filtration efficiency 99.95 % (H13)	12376615
Spotlight/Fan switch on hood (Original)*	Placed on hood	10551235
Fan switch on hood (Original)*	Placed on hood	10371080
Spotlight on hood (Original)	Placed on hood	12376616
Spark protection (Original)	Mounted on hood	10551335
Ergonomic handle	For improved mobility	12376617
Plastic bag	Bags for dust bin	12376618

*\*for automatic versions*

## Replacement filters

Replacement filters	Used for	Filtration efficiency (%)	Filter surface, m <sup>2</sup> (ft <sup>2</sup> )	Article number
HEPA filter	Higher filtration efficiency	99.95 % (H13)	10 (108)	12376615
Standard filter cartridge PW13	Welding, dust	99	13 (140)	12332672
High efficiency filter cartridge PWHE15	Dust, stainless steel welding	99.9	15 (162)	12371106
Antistatic high efficiency filter cartridge PWAHE15	Dust	99.9	15 (162)	12371412