

FilterBox 12 eQ

50 Hz

Top of the line, ergonomic unit for heavier dust and fume applications.

The FilterBox 12 eQ is a mobile unit, equipped with a powerful fan for a maximum air flow capacity of 1 600 m³/h (900 CFM). An integrated silencer reduces noise from the fan and outlet air.

The unit has an advanced filter control system with automatic mechanical and compressed air cleaning that starts when the air flow is too low.

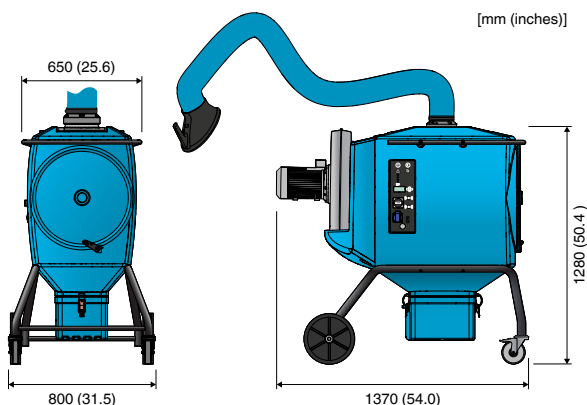
FilterBox 12 eQ also has a pneumatic outlet for pneumatic tools and a single phase power supply output for electric tools. As soon as the tool starts, the fan starts automatically. There is an additional grip included to easily maneuver the unit. Additional protection from harmful particles is provided if a HEPA H13 filter is installed.

Standard features

- 3 m (10 ft.) extraction arm Original
- Spotlight and fan switch on extractor hood
- Dust free emptying of dust bin
- Ergonomic change of filter cartridge
- Polyester filter cartridges with 99% separation efficiency
- Silencer
- Integrated LCD display
- Automatic damper minimizing dust leakage during pneumatic cleaning
- Easily maneuverable extractor arm
- 9.5 m (31 ft.) power cable
- Third party approval for welding fumes, category W3 EN 15012



Dimensions



Technical Data

Air flow	Up to 1 600 m ³ /h (900 CFM)
Fan	N29 2.2 kW/3.0 hp
Filter cartridge	13 m ² PW13, polyester
Filtration efficiency	99 %*
W3 approval	Yes
Weight	115 kg (254 lbs)
Noise level	74 dB(A)
Extraction hose diam.	160 mm (6 ¼ in)

* average weight filtration efficiency

Models

Filter cleaning method	Filter cleaning system	Single phase power outlet (Y/N)	Extraction Arm	Fan motor power	Voltage (V)	Frequency (Hz)	Phases	Assembly
								Mobile
Mechanical + pneumatic	Automatic	Yes (Euro)	Original	2.2 kW (3.0 hp)	230	50	3	12665163
Mechanical + pneumatic	Automatic	Yes (Euro)	Original	2.2 kW (3.0 hp)	400	50	3	12665263
Mechanical + pneumatic	Automatic	Yes (UK)	Original	2.2 kW (3.0 hp)	400	50	3	12665363
Mechanical + pneumatic	Automatic	Yes (Asia)	Original	2.2 kW (3.0 hp)	400	50	3	12665463

Accessories

Accessory	Description	Article number
HEPA filter	Filtration efficiency 99.95 % (H13)	12376615
Sensor clamp	For welding	14372199
Spark protection (Original)	Mounted on hood	10551335
Plastic bag	Bag for dust bin	12376618

Replacement filters

Replacement filters	Used for	Filtration efficiency (%)	Filter surface, m ² (ft ²)	Article number
HEPA filter	Higher filtration efficiency	99.95 % (H13)	10 (108)	12376615
Standard filter cartridge PW13	Welding, dust	99	13 (140)	12332672
High efficiency filter cartridge PWHE15	Dust, stainless steel welding	99.9	15 (162)	12371106
Antistatic high efficiency filter cartridge PWAHE15	Dust	99.9	15 (162)	12371412