

## FilterBox 12M

50 Hz

**A cost efficient manually cleaned unit with high performance fan for heavier applications.**

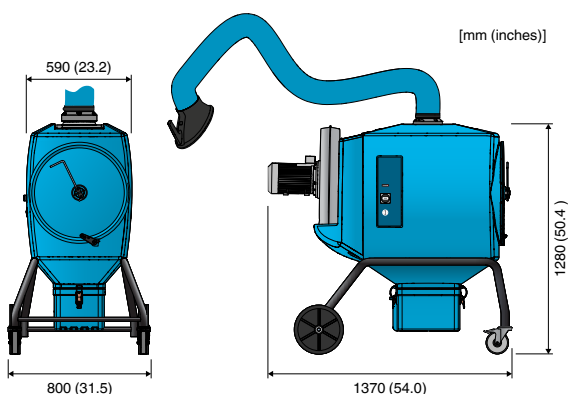
The FilterBox 12M is equipped with a powerful fan for a maximum air flow capacity of 1 200 m<sup>3</sup>/h (700 CFM). An integrated silencer reduces noise from the fan and outlet air.

The filter cartridge is manually cleaned. Depending on the model, it is equipped with mechanical cleaning for dust applications or a combination of mechanical and compressed air cleaning for fumes. There is an alarm indicating when the air flow is too low, as well as an operating hours meter.

The unit is available either as a mobile unit on wheels or attached to a floor stand. Additional protection from harmful particles is provided if a HEPA H13 filter is installed.

**Standard features**

- 3 m (10 ft.) extraction arm Original
- Dust free emptying of dust bin
- Ergonomic change of filter cartridge
- Polyester filter cartridges with 99% separation efficiency
- Silencer
- Filter indicator with alarm
- Operating hours meter
- Automatic damper minimizing dust leakage during pneumatic cleaning
- Easily maneuverable extractor arm
- 9.5 m (31 ft.) power cable
- Third party approval for welding fumes, category W3 EN 15012

**Dimensions****Technical Data**

Air flow	Up to 1 200 m <sup>3</sup> /h (700 CFM)
Fan	N29 2.2 kW/3.0 hp
Filter cartridge	13 m <sup>2</sup> PW13, polyester
Filtration efficiency	99 %*
W3 approval	Yes
Weight	115 kg (254 lbs)
Noise level	74 dB(A)
Extraction hose diam.	160 mm (6 ¼ in)

\* average weight filtration efficiency

## Models

Filter cleaning method	Filter cleaning system	Extraction Arm	Fan motor power	Voltage (Hz)	Frequency (Hz)	Phases	Assembly	
							Mobile	Floor
Mechanical	Manual	Original	2.2 kW (3.0 hp)	230	50	3	12659963	12660063
Mechanical	Manual	Original	2.2 kW (3.0 hp)	400	50	3	12660163	12660263
Mechanical + pneumatic	Manual	Original	2.2 kW (3.0 hp)	230	50	3	12660363	12660463
Mechanical + pneumatic	Manual	Original	2.2 kW (3.0 hp)	400	50	3	12660563	12660663

## Accessories

Accessory	Description	Article number
HEPA filter	Filtration efficiency 99.95 % (H13)	12376615
Spotlight on hood (Original)	Placed on hood	10551235
Ergonomic handle	For improved mobility	12376617
Spark protection (Original)	Mounted on hood	10551335
Plastic bag	Bags for dust bin	12376618

## Replacement filters

Replacement filters	Used for	Filtration efficiency (%)	Filter surface, m <sup>2</sup> (ft <sup>2</sup> )	Article number
HEPA filter	Higher filtration efficiency	99.95 % (H13)	10 (108)	12376615
Standard filter cartridge PW13	Welding, dust	99	13 (140)	12332672
High efficiency filter cartridge PWHE15	Dust, stainless steel welding	99.9	15 (162)	12371106
Antistatic high efficiency filter cartridge PWAHE15	Dust	99.9	15 (162)	12371412