

FilterBox 12A

50 Hz

Automatically cleaned for heavier dust and fume applications.

The FilterBox 12A is equipped with a powerful fan for a maximum air flow capacity of 1 200 m³/h (700 CFM). An integrated silencer reduces noise from the fan and outlet air.

The unit has an advanced filter control system with automatic cleaning that starts when the air flow is too low. Depending on the model, it is equipped with mechanical cleaning for dust applications or a combination of mechanical and compressed air cleaning for fumes and dust.

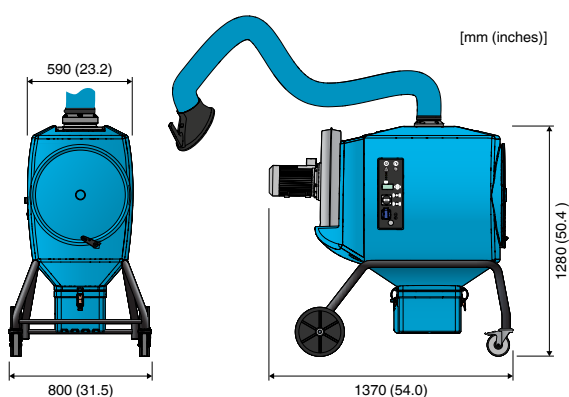
The unit is available either as a mobile unit on wheels or attached to a floor stand. Additional protection from harmful particles is provided if a HEPA H13 filter is installed.

Standard features

- 3 m (10 ft.) extraction arm Original
- Dust free emptying of dust bin
- Ergonomic change of filter cartridge
- Polyester filter cartridges with 99% separation efficiency
- Silencer
- Integrated LCD display
- Automatic damper minimizing dust leakage during pneumatic cleaning
- Easily maneuverable extractor arm
- 9.5 m (31 ft.) power cable
- Third party approval for welding fumes, category W3 EN 15012



Dimensions



Technical Data

Air flow	Up to 1 200 m ³ /h (700 CFM)
Fan	N29 2.2 kW/3.0 hp
Filter cartridge	13 m ² PW13, polyester
Filtration efficiency	99 %*
W3 approval	Yes
Weight	115 kg (254 lbs)
Noise level	74 dB(A)
Extraction hose diam.	160 mm (6 ¼ in)

* average weight filtration efficiency

Models

Filter cleaning method	Filter cleaning system	Extraction Arm	Fan motor power	Voltage (Hz)	Frequency (Hz)	Phases	Assembly	
							Mobile	Floor
Mechanical	Automatic	Original	2.2 kW (3.0 hp)	230	50	3	12661963	12662063
Mechanical	Automatic	Original	2.2 kW (3.0 hp)	400	50	3	12662163	12662263
Mechanical + pneumatic	Automatic	Original	2.2 kW (3.0 hp)	230	50	3	12662363	12662463
Mechanical + pneumatic	Automatic	Original	2.2 kW (3.0 hp)	400	50	3	12662563	12662663

Accessories

Accessory	Description	Article number
HEPA filter	Filtration efficiency 99.95 % (H13)	12376615
Spotlight/Fan switch on hood (Original)	Placed on hood	10551235
Fan switch on hood (Original)	Placed on hood	10371080
Spotlight on hood (Original)	Placed on hood	12376616
Sensor Clamp	For welding	14372199
Ergonomic handle	For improved mobility	12376617
Spark protection (Original)	Mounted on hood	10551335
Plastic bag	Bag for dust bin	12376618

Replacement filters

Replacement filters	Used for	Filtration efficiency (%)	Filter surface, m ² (ft ²)	Article number
HEPA filter	Higher filtration efficiency	99.95 % (H13)	10 (108)	12376615
Standard filter cartridge PW13	Welding, dust	99	13 (140)	12332672
High efficiency filter cartridge PWHE15	Dust, stainless steel welding	99.9	15 (162)	12371106
Antistatic high efficiency filter cartridge PWAHE15	Dust	99.9	15 (162)	12371412