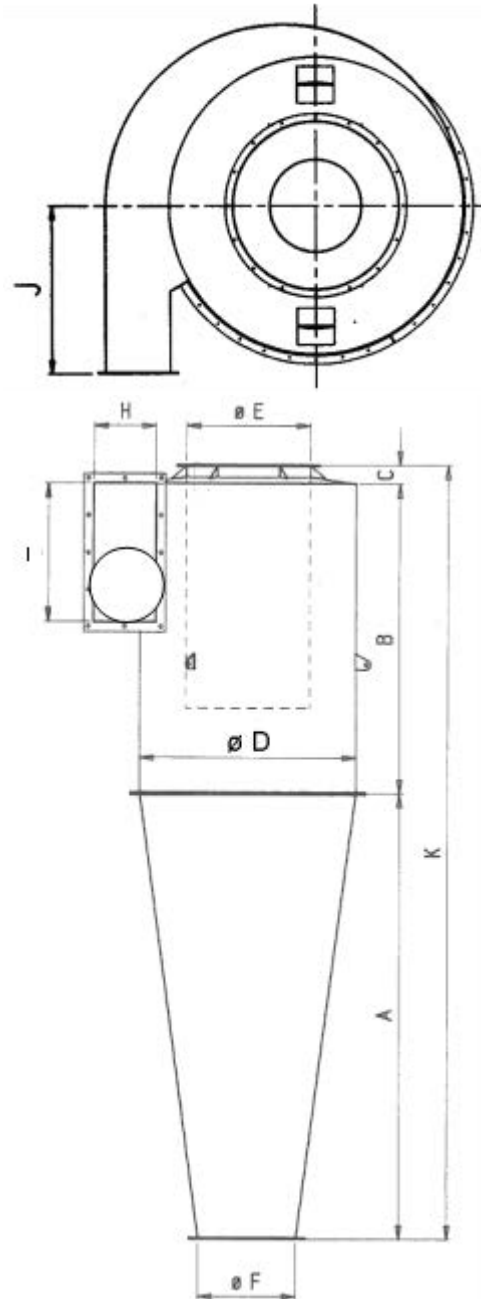
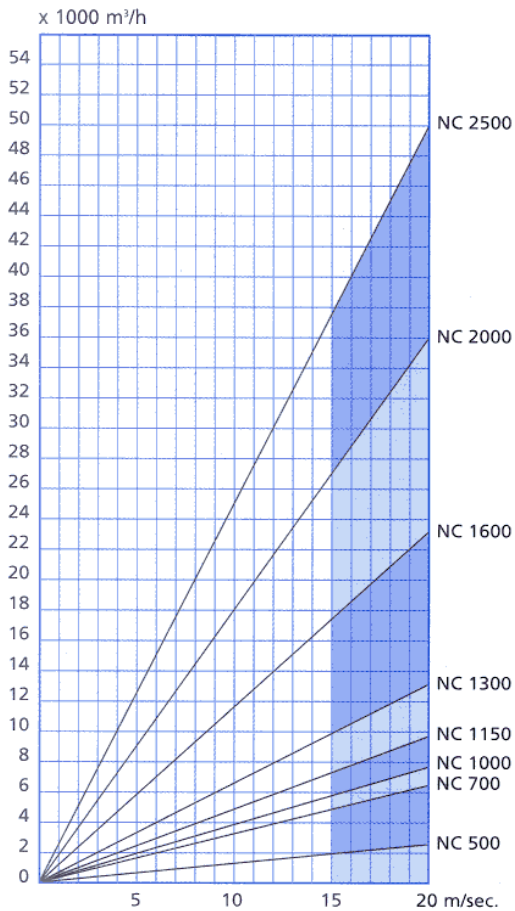


Cyclone type NC 500-2500

NC cyclone, left (as drawing)	47011.xxx
NC cyclone, right (opposite of drawing)	47010.xxx
Cyclone inlet, QF (NC 500 – NC 1300)* Galv.	22019.xxx
Cyclone inlet, FL (NC 500 – NC 2500)* Galv.	22219.xxx
Cyclone inlet, QF (NC 500 – NC 1300)* Welded	22419.xxx
Cyclone inlet, FL (NC 500 – NC 2500)* welded	22319.xxx
Cyclone tangential outlet left for NC right cyclone	47020.xxx
Cyclone tangential outlet right for NC left cyclone	47021.xxx
Transition for NRS 4 rotary valve	47030.xxx
Transition for NRS 10 rotary valve	47035.xxx
Waste bin for cyclone	47100.000

xxx = D/10

*The inlet must level with the bottom.



Dimensions

Type	A (mm)	B (mm)	C (mm)	øD (mm)	øE (mm)	øF (mm)	H (mm)	I (mm)	J (mm)	K (mm)	Weight (kg)
NC 500	1000	700	80	500	250	200	126	285	305	1780	53
NC 700	1430	990	60	700	400	315	206	444	501	2480	123
NC 1000	2048	1500	100	1000	560	400	216	485	606	3648	306
NC 1150	2395	1800	100	1150	630	450	240	550	675	4300	433
NC 1300	2825	2000	120	1300	710	450	300	600	700	4945	550
NC 1600	3300	2300	100	1600	900	500	357	905	600	5700	804
NC 2000	3930	2600	170	2000	1200	630	401	1247	1200	6700	1278
NC 2500	4205	3000	170	2500	1600	710	507	1364	1200	7375	1647

Accessories

Example: Transition for NRS10 rotary valve 47035.250

