

Braccio di aspirazione ATEX Komsa DX

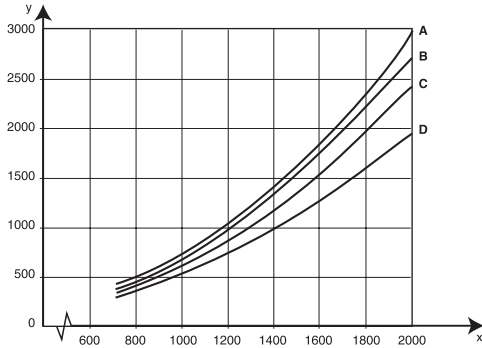


The Nederman DX has a double earthed system, antistatic earthed ventilation hose that prevents static electricity and sparks. The arm is suitable for industries where hygiene is a top priority. NEX DX has concealed joints and a separate easy to mount hose. Enclosed support arm, separate hose and a stainless steel hood means the DX arms require little maintenance and is easy to clean.

The Nederman NEX DX is recommended for use in explosive environments, zone 21. The arm is double earthed, by the helix in the hose and through the arm system. The hose is made of polyester/polyurethane.

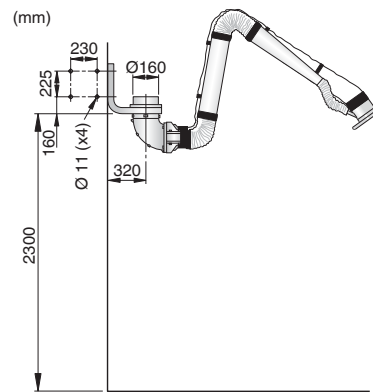
Hoses with even higher resistance to aggressive solids and gaseous media is available, see *Ventilation hose for chemical purposes*.

Pressure drop



X: airflow m³/h Y: static pressure Pa A: 5 m, B: 4 m, C: 3 m, D: 2 m

Dimensions



Technical Data

Description	Reach, m	Airflow, m ³ /h	Connection Ø, mm	Max. fume temperature, °C	Noise level at hood, dB(A)	Weight, kg	Part no.
NEX DX 2m	2	900-1700	160	70	56-81	17	10502232
NES DX 3m	3	900-1700	160	70	55-80	21	10502332
NEX DX 4m	4	900-1700	160	70	54-77	28	10502432
NEX DX 5m	5	900-1700	160	70	54-77	32	10502532
NEX DX 2m, hood with damper	2	900-1700	160	70	56-81	17	10503232
NEX DX 3m, hood with damper	3	900-1700	160	70	55-80	21	10503332
NEX DX 4m, hood with damper	4	900-1700	160	70	54-77	28	10503432
NEX DX 5m, hood with damper	5	900-1700	160	70	54-77	32	10503532