

## Ø 100mm Diamond tipped cutting blade

**Type:** Makita 9524 NB/ 9565 / 9526 / 9527 / 9528

**Applications:** Cutting of reinforced plastics  
Cutting depth 25mm

**Suction requirement:** 200 m<sup>3</sup>/h

**Vacuum hose:** ø 32mm

**Attachment kit Art. No:** 403272

**Parts in attachment kit:**  
304180 Manifold incl screws  
990220 Wrench  
272320 Cover

**Accessories:**  
279940 Cutting depth adjustment kit  
507401 Diamond blade 100mm hole22,2

**Hose kit Art. No:** 273250



## Ø 125 mm Fibre disc

**Type:** Makita 9565/9526/9527/9528

**Applications:** Grinding and sanding of metal, plastics, wood etc

**Suction requirement:** 250m<sup>3</sup>/h

**Vacuum hose:** ø 38mm

**Attachment kit Art. No:** 403275

**Parts in attachment kit:**

- 315210 Manifold incl screws
- 990220 Hexagon wrench
- 265020 Push fit hood with brush
- 272720 Spacer 12,5mm
- 271030 Backing up pad
- 272682 Flange nut M14 H25

**Accessories:** 990271 Pin wrench

**Hose kit Art. No:** 273260



## Ø 125mm Depressed centre wheel

**Type:** Makita 9565/9526/9527/9528

**Applications:** Grinding of weld joints, sheet metal, castings, concrete etc

**Suction requirement:** 250m<sup>3</sup>/h

**Vacuum hose:** ø 38mm

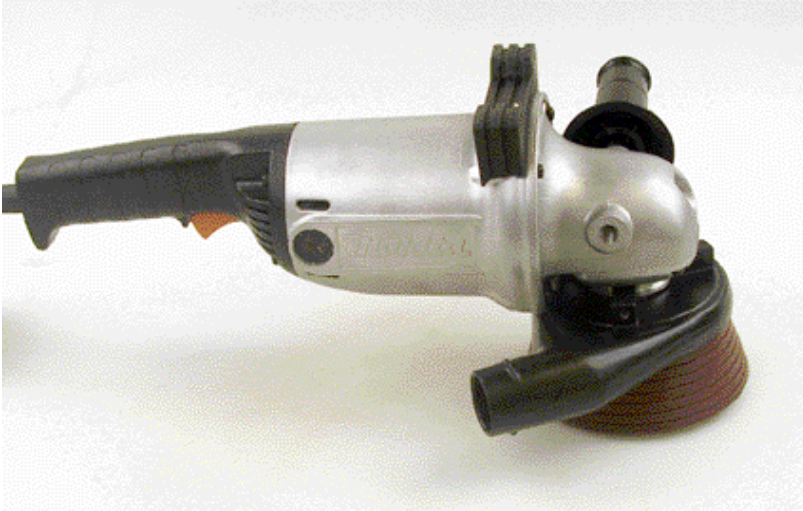
**Attachment kit Art. No:** 403276

**Parts in attachment kit:**

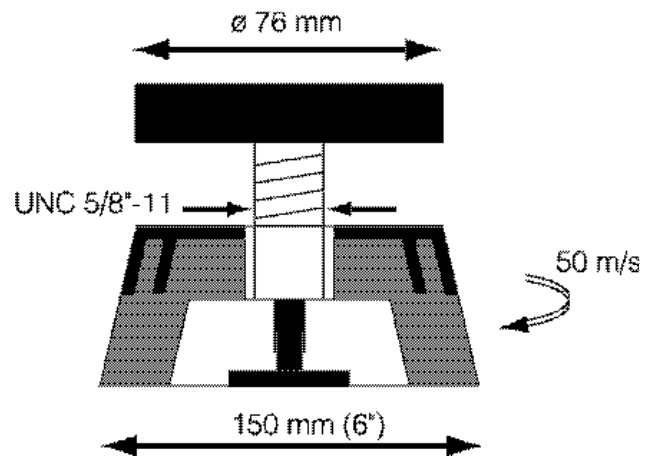
- 315210 Manifold incl screws
- 990220 Wrench
- 272643 Steel wheel guard
- 250020 Push fit hood
- 272710 Spacer 15mm
- 272170 Spacer 4mm
- 272682 Flange nut M14 H25

**Accessories:** 990271 Pin wrench

**Hose kit Art. No:** 273260



Only for cup wheels with incorporated safety back in countries where wheel guards are not required.



## Ø 125 mm Cup Wheel

Type: Makita GA 7911

Applications: Grinding of steel, castings concrete etc

Suction requirement: 250 m<sup>3</sup>/h

Vacuum hose: ø 38 mm

Attachment kit Art. No: 409080

Parts in attachment kit:  
317110 Manifold incl screws  
990220 Hexagon wrench 2,5 mm  
250050 Push fit hood  
278310 Flanged washer

Accessories:

Hose kit Art. No: 273260



## Ø 180 mm depressed centre wheel

Type: Makita 9227 CB

Applications: Grinding of weld joints, sheet metal, castings concrete etc.

Suction requirement: 250 m<sup>3</sup>/h

Vacuum hose: ø 38 mm

Attachment kit Art. No: 409240

Parts in attachment kit:  
315180 Manifold incl screws  
272650 Steel wheel guard incl screws  
250010 Push fit hood  
272660 Spacer 10 mm  
272700 Flanged nut M14 H16

Accessories: 990271 Pin key

Hose kit Art. No: 273260



## Ø 180 mm Fibre disc

Type: Makita 9227 CB

Applications: Grinding and sanding of metal, plastic, wood etc.

Suction requirement: 250 m<sup>3</sup>/h

Vacuum hose: ø 38 mm

Attachment kit Art. No: 409241

Parts in attachment kit:

- 315180 Manifold incl screws
- 267500 Push fit hood with brush
- 271060 Backing up disc
- 272700 Flanged nut M14 H16

Accessories: 990271 Pin key

Hose kit Art. No: 273260