

KOMSA



The Cyclone (1,000-8,000 CFM)

Suitable for collection of virtually any type of dust



Applications:

Heavy Moulding • Grinding • Planing • Cabinet Shops • Dust Transfer Systems • Material Separation

Features

- *Cost effective*
- *Indoor or outdoor placement*
- *Excellent for high volumes of waste*
- *Barrel or air lock discharge*
- *Available with after filters*
- *Positive or negative configurations*
- *High efficiency design*

How It Works

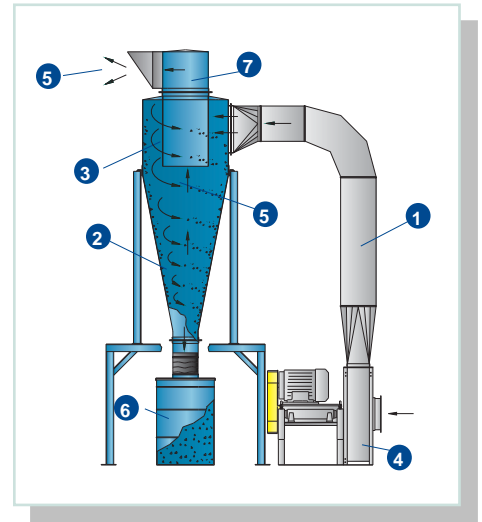
A Positive Pressure Configuration

1. During normal operation, the dust travels down the supply duct, ④ into the material handling fan. From there, it is blown up into the cyclone.

2. Upon entering the cyclone, the air and material are diverted into a spiral motion around the inside perimeter. ② The centrifugal force applied by the side wall allows the heavier material to fall out of the air stream and into the collection bin (or through a rotary air lock). ⑥

3. The air and some of the finer dust ⑤ is then exhausted out of the cyclone via an inner cone. An outlet "volute" ③ is a weather cowl that ⑦ also acts as a transition for those applications which require a secondary filter.

4. The air and some fine dust exits the "volute" where it may be exhausted to atmosphere ⑤ or into a secondary filter.



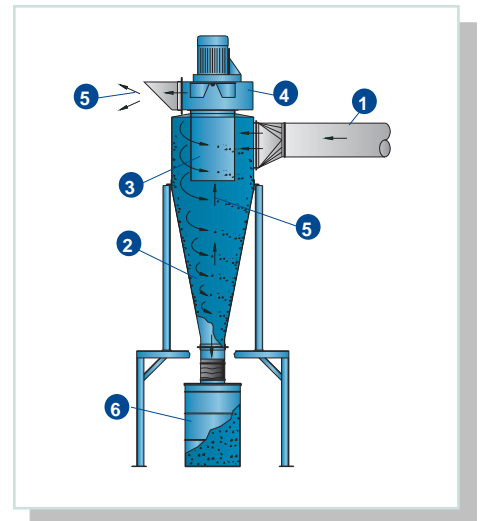
A Negative Pressure Configuration

1. During normal operation, the dust is drawn down the supply duct ① and into the cyclone.

2. Upon entering the cyclone, the air and material are diverted into a spiral motion around the inside perimeter. ② The centrifugal force applied by the side wall allows the heavier material to fall out of the air stream and into the collection bin ⑥. (Or through a rotary air lock).

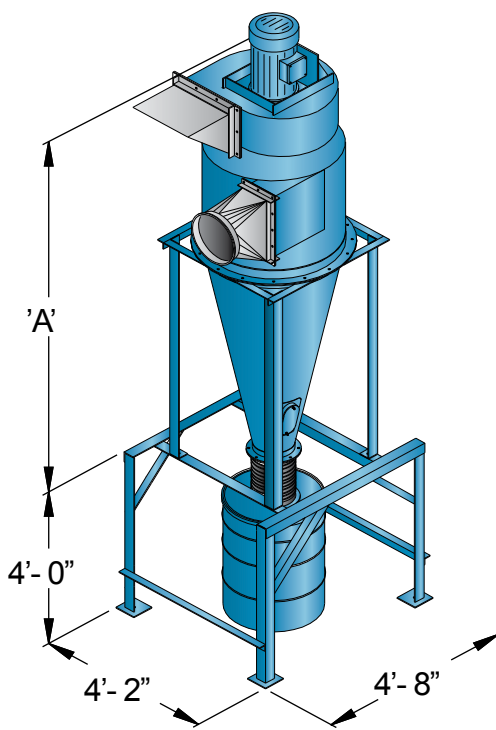
3. The air and some of the finer dust ⑤ is then exhausted out of the cyclone via an inner cone. ③

4. The air and some fine dust then passes through the main fan ④ where it may be exhausted to atmosphere ⑤ or into a secondary filter.

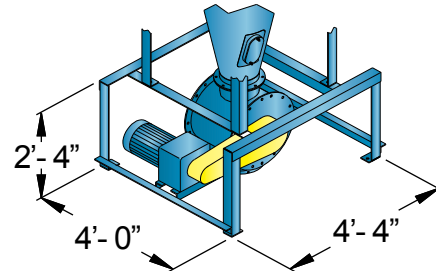


NOTE: Please consult with your Nederman representative for compressed air requirements

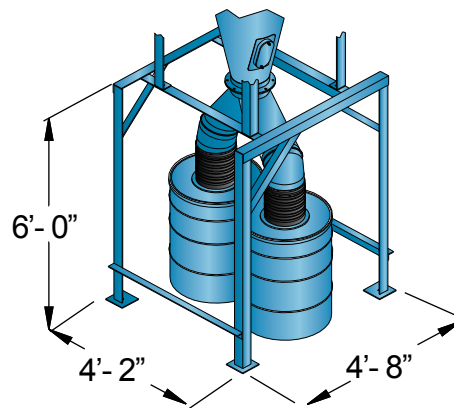
Unit Specifications



Cyclone with 55 gallon drum



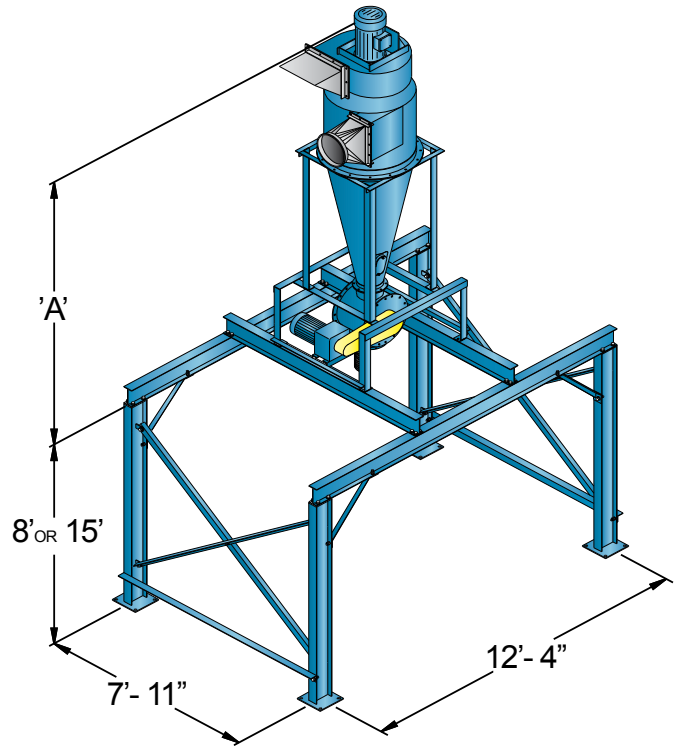
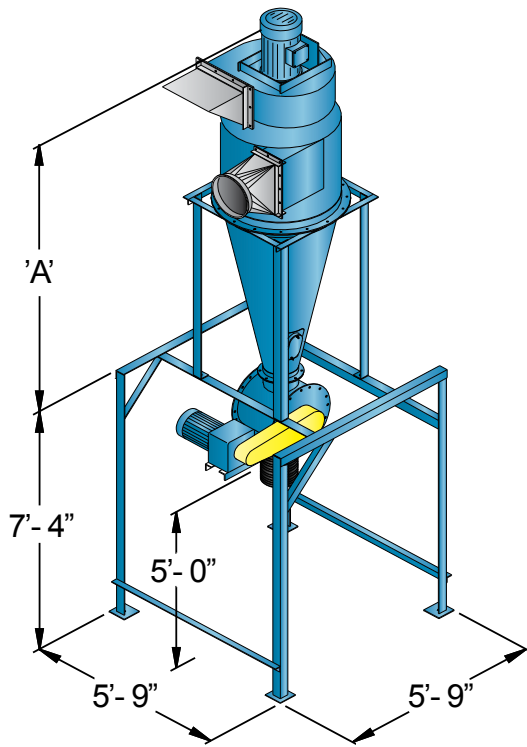
Rotary airlock option



Two 55 gallon drum option

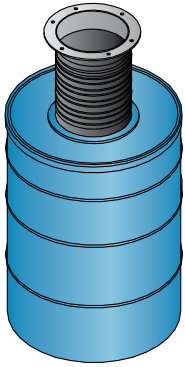
MODEL NUMBER	CYCLONE DIAMETER	AIR VOLUME (CFM)	FAN MOTOR (HP)	STATIC PRESSURE (EXT. WG)	'A'	INLET DIAMETER	WEIGHT FILTER&FAN (LBS.)
C - 2005	24"	2,000	5	5 "	6' - 11"	9"	1,050
C- 2012	24"		15	8 "	7' - 3"		1,100
C-4015	34"	4,000	15	6 "	10' - 7"	14"	1,300
C-4020	34"		20	9 "	10' - 10"		1,500
C-6020	40"	6,000	20	7 "	12' - 2"	16"	1,650
C-6030	40"		30	12 "	12' - 7"		1,900
C-8030	48"	8,000	30	8 "	14' - 11"	18"	2,100
C-8040	48"		40	12 "	15' - 3"		2,200

Unit Specifications

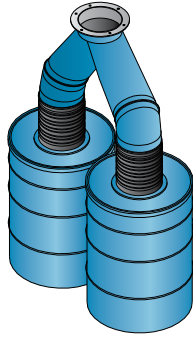


MODEL NUMBER	CYCLONE DIAMETER	AIR VOLUME (CFM)	FAN MOTOR (HP)	STATIC PRESSURE (EXT. WG)	'A'	INLET DIAMETER	WEIGHT FILTER & FAN (LBS.)
C - 2005	24"	2,000	5	5 "	10' - 7"	9"	1,050
C- 2012	24"		15	8 "	10' - 11"		1,100
C-4015	34"	4,000	15	6 "	14' - 3"	14"	1,300
C-4020	34"		20	9 "	14' - 6"		1,500
C-6020	40"	6,000	20	7 "	15' - 10"	16"	1,650
C-6030	40"		30	12 "	16' - 3"		1,900
C-8030	48"	8,000	30	8 "	18' - 7"	18"	2,100
C-8040	48"		40	12 "	18' - 11"		2,200

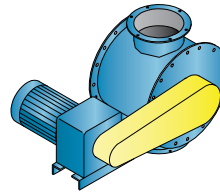
Options



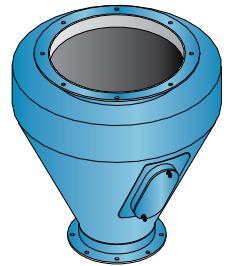
55 Gallon Drum Assembly



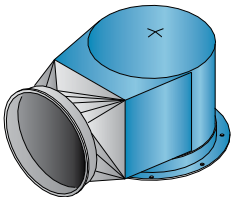
Two 55 Gallon Drum Assembly



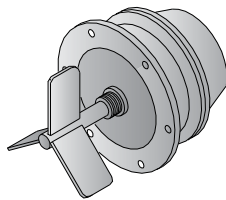
Rotary Airlock



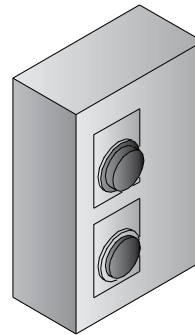
Cyclone Expansion Chamber



Cyclone Air Outlet Volute



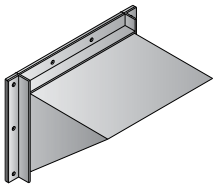
“Bindicator” Level Sensor



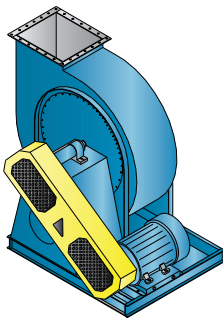
Control Panel



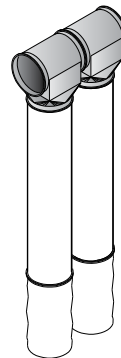
Silencer



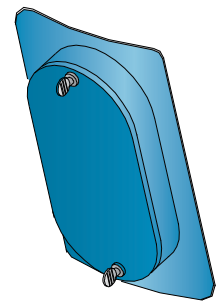
Fan Outlet Weather Cowl



Ground Mounted Fan



Plenum After Filters



Clean-Out Door

Installations

Plenum after-filter



Trailer Loading Structure



Cyclone with NFP after-filter



Dumpster Loading



Cyclone with plenum after filter



Rotary airlock & Bindicator



Expansion Chamber



Barrell Loading Structure



Soluzioni KOMSA per le vostre necessità di aspirazione

Vi mostriamo qui di seguito alcuni esempi di sistemi di aspirazione che fanno parte della nostra ampia gamma di prodotti.

Per maggiori informazioni potrete visitare il nostro sito internet: www.komsa.it

Bracci di aspirazione



Sistemi di aspirazione per gas di scarico veicoli



Elettroventilatori



Filtri



Filtri per impianti centralizzati



Filtri carrellati



Aspiratori industriali ad alta pressione



Arrotolatori per tubi e cavi



KOMSA

KOMSA ITALIA SRL - Via A. Moro, 18 - 40068 S. LAZZARO DI SAVENA (BO)

Tel. +39.051.625.55.33 +39.051.625.60.61 Fax +39.051.625.51.88

www.komsa.it e-mail: info@komsa.it